



ZIS360
IL 163
EDIZ. 27/09/2018

WALLY

I

RICEVITORE DA ESTERNO

P

RECEPTORES PARA EXTERNO

GB

OUTDOOR RECEIVERS

D

EMPFÄNGER FÜR
AUSSENBETRIEB

F

RÉCEPTEUR POUR EXTERNE

NL

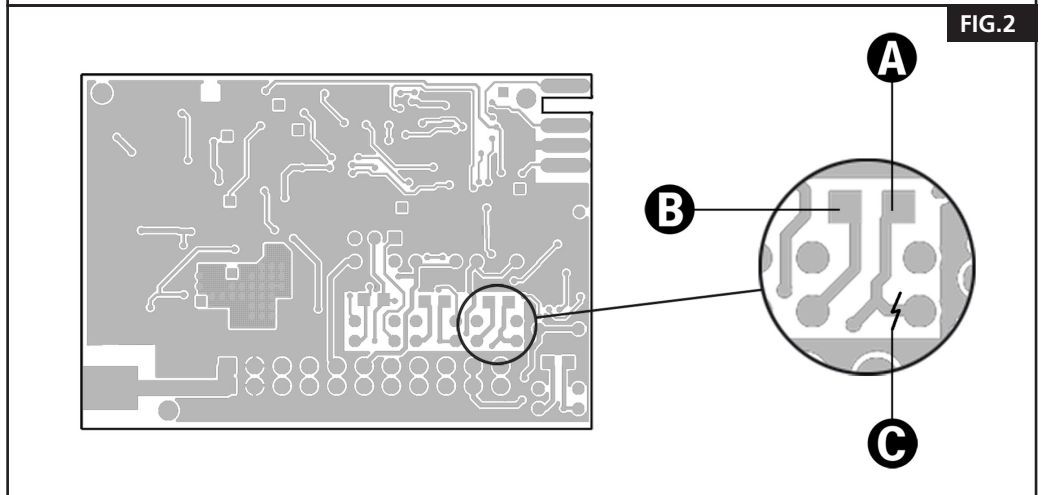
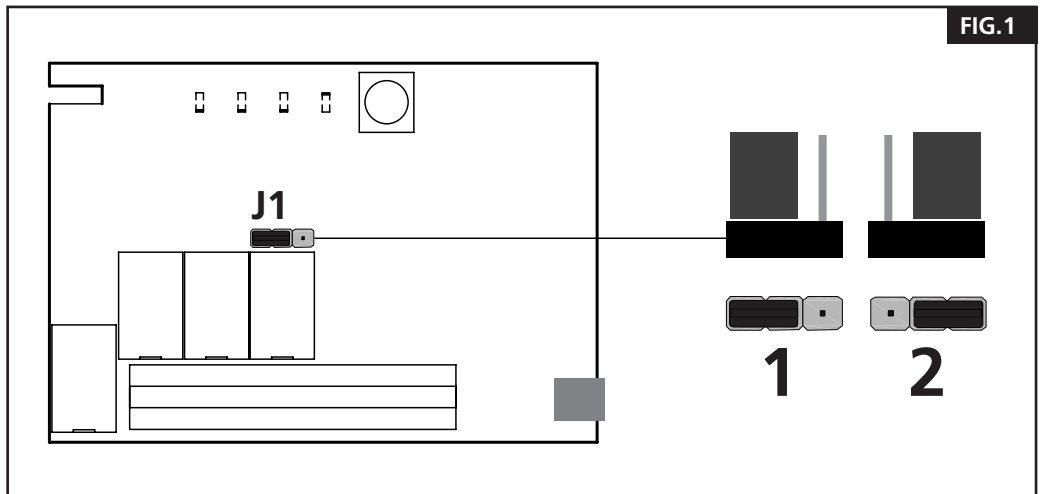
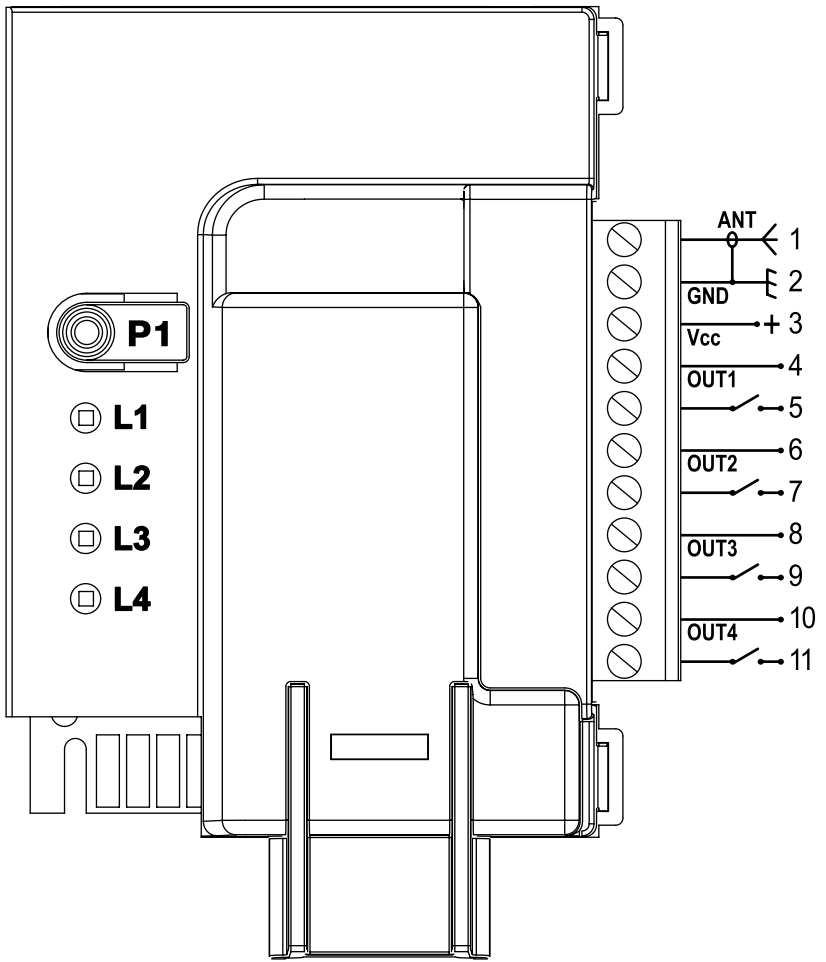
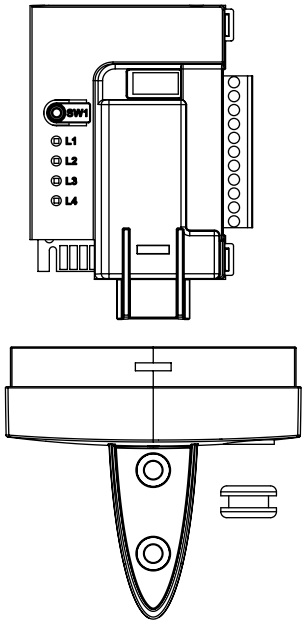
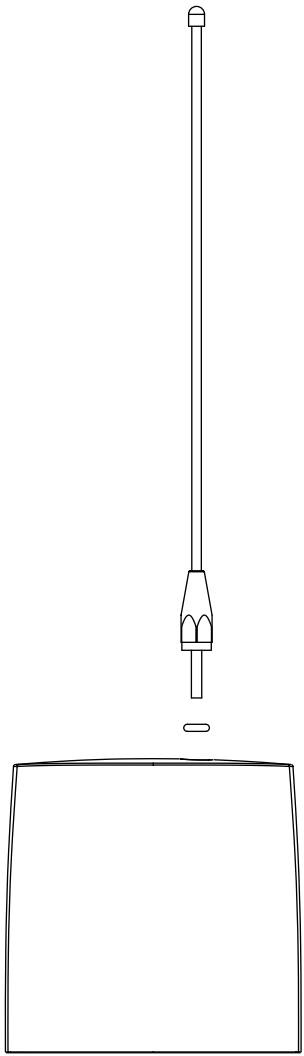
EXTERNE ONTVANGERS

E

RECEPTORES DE EXTERIOR

RU

НАРУЖНЫЕ ПРИЕМНИКИ



PROGRAMMING

NOTE: the first remote control to be memorised determines the mode of operation; Royal or Personal Pass.

To change the operating mode, it is essential to perform a FULL CODE ERASING and then memorise the new remote control.

⚠ IMPORTANT: to memorize the code in the correct way it is necessary to keep a minimum distance of 1,5 metres between the transmitter and the receiver's antenna.

The self learning programming system enables the code memorization and the setting of the following functioning modes:

MONOSTABLE: it activates the corresponding relay through the time of TX transmission. When the transmission stops, the relay goes automatically off.

BISTABLE: it activates the corresponding relay on the first TX transmission. The relay goes off on the second transmission.

TIMER: the tx transmission activates the corresponding relay which goes off after the set time (max 7,5 minutes).

SELECTION OF THE RECEIVER CHANNEL

To select the channel of the receiver to be programmed, press the P1 button for N times, as indicated in the table: the LED corresponding to the selected channel turns on

SELECTED CHANNEL	N° IMPULSES P1	LED ON			
		1	2	3	4
CHANNEL 1	1	•			
CHANNEL 2	2		•		
CHANNEL 3	3			•	
CHANNEL 4	4				•

PROGRAMMING OF THE MONOSTABLE FUNCTION

WARNING: If the transmitter is ROYAL, before starting programming, set the desired code on the transmitter. Set the same code on all transmitters.

- Select the channel of the receiver to be programmed
- Within 5 seconds, press and hold the button on the remote control.
 - if the remote control unit is a ROYAL version, the procedure ends at point 3
 - if the remote control unit is a PERSONAL PASS version, go to point 4 and follow the procedure until the end of the section
- LED on the receiver is turned off to indicate the code has been memorised correctly
- The led of the receiver goes out and goes on again: the code has been memorised and the receiver remains standby for 5 s with a new code to be memorised
- Memorise all the remote control units necessary
- After 5 seconds without a valid transmission, the led is turned off and the receiver returns to normal operating mode

PROGRAMMING THE TIMER FUNCTION

WARNING: If the transmitter is ROYAL, before starting programming, set the desired code on the transmitter. Set the same code on all transmitters.

- Select the channel of the receiver to be programmed and hold pressed the P1 button: the LED corresponding to the selected channel will turn on for a few seconds
- When the led goes off, release the P1 button.
- The led starts a sequence of flashings at low speed (1 flash per second). The number of flashing corresponds to the time which can be set as shown in the table.:

N° Flashing	Time
1	01 sec.
2	02 sec.
3	03 sec.
4	04 sec.
5	05 sec.
6	06 sec.
7	07 sec.
8	08 sec.
9	09 sec.
10	10 sec.
11	11 sec.
12	12 sec.
13	13 sec.
14	14 sec.
15	15 sec.
16	30 sec.

N° Flashing	Time
17	1 min.
18	1,5 min.
19	2 min.
20	2,5 min.
21	3 min.
22	3,5 min.
23	4 min.
24	4,5 min.
25	5 min.
26	5,5 min.
27	6 min.
28	6,5 min.
29	7 min.
30	7,5 min.
31	BISTABLE

- Count the number of led flashings corresponding to the time you wish to set
- Press the rx button P1 during the wished flashing: the sequence of flashings stops and the led remains on
- Within 5 seconds, press and hold the button on the remote control:
 - if the remote control unit is a ROYAL version, the procedure ends at point 7
 - if the remote control unit is a PERSONAL PASS version, go to point 8 and follow the procedure until the end of the section
- The led on the receiver is turned off to indicate the code has been memorised correctly
- The led on the receiver is turned off and then comes on again: the code has been memorised and the receiver remains standby for 5 s with a new code to be memorised
- Memorise all the remote control units necessary
- After 5 seconds without a valid transmission, the led is turned off and the receiver returns to normal operating mode

PROGRAMMING OF THE BISTABLE FUNCTION

WARNING: If the transmitter is ROYAL, before starting programming, set the desired code on the transmitter. Set the same code on all transmitters.

1. Select the channel of the receiver to be programmed and hold pressed the P1 button: the LED corresponding to the selected channel will turn on for a few seconds
2. When the led goes off, release the P1 button.
3. The led starts a sequence of flashings at low speed (1 flash per second). When the 30 flashings of the timer function are over, the led remains on.
4. Within 5 seconds, press and hold the button on the remote control:
 - if the remote control unit is a ROYAL version, the procedure ends at point 5
 - if the remote control unit is a PERSONAL PASS version, go to point 6 and follow the procedure until the end of the section
5. The led on the receiver is turned off to indicate the code has been memorised correctly
6. The led on the receiver is turned off and then comes on again: the code has been memorised and the receiver remains standby for 5 s with a new code to be memorised
7. Memorise all the remote control units necessary
8. After 5 seconds without a valid transmission, the led is turned off and the receiver returns to normal operating mode

REMOTE RADIO LEARNING (Personal Pass system only)

This procedure allows to memorize new transmitters by radio, in sequence and without removing the receiver from the installation.

The transmitter which allows to enable the programming by radio must be memorized in advance.

The keys of all the transmitters saved in the memory via radio will have the same logic as for those of the transmitter that enabled programming.

Therefore, if the transmitter that activated programming has key 1 saved only, the new transmitters can only be saved using key 1.

1. Press for at least 5 seconds the keys 1+2 or 1+3 of one transmitter that is already saved
2. Release both keys
3. Press, within 5 seconds, the key of the new transmitter that you intend to save
4. Release the key and repeat the procedure for the other keys of the remote control or with other radio controls to be saved

SUBSTITUTIVE TRANSMITTER (Personal Pass system only)

The substitutive transmitter, generated only by means of WINPPCL, allows to replace by radio a transmitter stored in the receiver.

A single transmission with the specially programmed SUBSTITUTIVE TX, nearby the receiver, replaces the transmitter code with the new one without removing the receiver from the installation.

Three code substitutions are permitted, if transmitter TX A is memorised, the options are:

- TX B replaces TX A (TX A is no longer operative)
- TX C replaces TX B (TX B-A is no longer operative)
- TX D replaces TX C (TX C-B-A is no longer operative)

ROLLING CODE MODE (Personal Pass system only)

The receiver manages the rolling code for the Personal Pass system. This function is disabled by default.

Rolling code mode may be activated by WinPPCL or by using the P1 programming button.

1. Press P1 push-button, holding it for 8 seconds
2. The led will switch on after 8 seconds. Release the push-button
3. The led starts a sequence of flashing for 5 seconds:
 - Single flashings → ROLLING CODE disabled
 - Double flashings → ROLLING CODE enabled
 - Triple flashings → ROLLING CODE enabled
+ cloned code erasing
4. To modify the parameters press the P1 push-button within 5 seconds after the first flashing of the sequence; the led will flash according to the new parameters.
5. After 5 seconds, the led turns off and the receiver moves back to normal operation

PROGRAMMING LOCK (Personal Pass system only)

The PROGRAMMING LOCK function can be done only by means of WINPPCL. This function inhibits to programme again the receiver, either with P1 key or by radio. The receiver can be programmed again only by means of WINPPCL.

FULL CODE ERASING

To perform a full code erasing do the following:

1. Switch off the power supply of the control unit where the MR2 receiver is connected.
2. By holding the key P1 of the receiver pressed, you will reactivate the power supply.
The receiver LED goes on: release the P1 key
3. The memory spaces are empty and available for a new programming: the first remote control to be memorised determines the mode of operation; Royal or Personal Pass

To perform a partial code erasing the PROG2 portable programmer is required.